

Model 46 *Interface*

User Guide

Issue 1, July 2007

This User Guide is applicable for serial numbers:

M46-00151 and later

Copyright © 2007 by Studio Technologies, Inc., all rights reserved
www.studio-tech.com

Table of Contents

Introduction	5
Installation	10
Configuration	16
Advanced Configuration	18
Operation	20
Advanced Operation	24
Technical Notes.....	25
Specifications.....	28
Appendix A—Interfacing with Telex®/RTS® Matrix Intercom Systems	29
Appendix B—Interfacing with Riedel® Artist™ Matrix Intercom Systems	30
Appendix C—Interfacing with Clear-Com® Matrix Intercom Systems	31
Block Diagram	

Model 46

Interface

This page intentionally left blank.

Introduction

The Model 46 is designed to interface 2-wire full-duplex party-line intercom circuits with 4-wire audio circuits associated with matrix intercom systems. Other specialized audio system interfacing applications can also be supported. The Model 46 provides two independent full-featured 2-channel interfaces. Each interface contains two hybrid circuits which include automatic nulling capability. The analog circuitry, under software control, provides excellent audio quality and high return-loss. The interfaces are compatible with powered and unpowered 2-wire party-line circuits. They are capable of supplying DC power, allowing direct operation of devices such as user belt packs. Configuration settings allow the 2-wire and 4-wire interface circuitry to be compatible with a range of nominal signal levels. Audio level meters provide user confirmation of system performance during setup and operation. Applications for the Model 46 include television sports and special event broadcasting, theme park and theater installations, corporate events, and industrial testing environments. Standard audio connectors are used for all input and output signals.

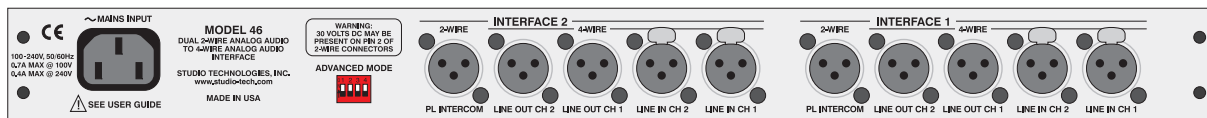
The Model 46 mounts in one space of a standard 19-inch rack enclosure and requires 100-240 volts, 50/60 Hz for operation.

2-Wire Interfaces

The Model 46's 2-wire interfaces are optimized for direct connection with dual-channel party-line (PL) intercom circuits. In addition, single-channel party-line intercom circuits can also be connected. Many broadcast applications use the dual-channel TW-series from Telex®/RTS®, including their popular BP325 belt pack. Other industry-standard single- and dual-channel PL intercom systems, including those from Clear-Com®, are also directly compatible. To provide optimal signal matching and interface performance the nominal level of the Model 46's 2-wire interfaces can be selected. Using DIP switches, accessible on the front panel, the nominal levels can be selected to be either -10 or -14 dBu, settings that should allow compatibility with virtually all party-line systems. For example, for applications that use equipment from RTS the -10 dBu setting is appropriate. For other equipment, such as that from Clear-Com, the -14 dBu setting is correct.



Model 46 Front Panel



Model 46 Back Panel

The Model 46's 2-wire interfaces can correctly function with powered ("wet") or unpowered ("dry") intercom circuits. Powered circuits have a DC voltage present, typically provided by power supplies such as the RTS PS31 or Clear-Com PS-232. This DC power, normally 30-32 volts, provides energy for connected devices such as user stations or belt packs. In this type of application the Model 46 is configured to operate in its external 2-wire power source mode. In this mode the Model 46's circuitry maintains the required high-impedance load and, as in all cases, draws no power from the party-line circuit. An auto-terminate function ensures that should a "wet" circuit not be connected, the Model 46's interface circuitry will remain stable. This unique feature makes certain that objectionable audio signals, including oscillations and "squeals," will infrequently be sent to the connected 4-wire device.

A significant capability of the Model 46's 2-wire interfaces is their ability to supply DC power and 200 ohm AC termination to the connected intercom circuits. Referred to as the Model 46's internal 2-wire power source mode, the 30 volt output can power devices such as user stations and belt packs. In many applications this will eliminate the need for external intercom power supplies. Besides reducing total system cost, this feature can also lower system weight, reduce required mounting space, and decrease the mains energy requirement.

With each 2-wire interface's ability to supply up to 300 milliamperes of current, a typical broadcast application that uses two sets of three BP-325 belt packs can easily be supported. Each interface's 30 volt DC

intercom power source ensures that systems requiring long intercom cable runs will function correctly. The circuitry's output regulation is such that little change in the output voltage will occur over its entire rated output current. Also, the unique design of the power supply circuitry virtually eliminates the noise and "hiss" associated with typical intercom power supply performance. Under software control the output of the DC power supplies are monitored for over-current and short-circuit conditions. This allows protection shut-down of the output DC, as well as providing an alert by way of a visual indicator.

Analog Hybrids with Auto Nulling

A key reason that the Model 46's interfaces achieve excellent audio performance is the design of the 2-wire-to-4-wire hybrid circuits. They provide low noise and distortion, good frequency response, and high return-loss ("nulling"), even when presented with a wide range of 2-wire conditions. Unlike telephone-line ("POTS") oriented DSP-based hybrid circuits, the Model 46's analog circuitry provides extended frequency response. With a pass band of 100 Hz on the low-end and 8 kHz on the high-end, natural-sounding voice signals can be sent to, and received from, the 2-wire party-line circuits.

A hybrid's ability to isolate the transmit signal from the receive signal in the 2-wire-to-4-wire interface is critical. The quality of this isolation, technically known as return-loss or trans-hybrid loss, is measured in dB. A high value is important, especially in applications where multiple 2-wire-to-4-wire interfaces are used together. Remote sports broadcast applications

are especially sensitive to this requirement. The Model 46's sophisticated auto nulling function uses analog circuitry under microprocessor control to achieve significant trans-hybrid loss. This return-loss "null" is achieved by making a series of adjustments to account for the resistive, inductive, and capacitive conditions that are present on the connected 2-wire party-line circuit. The party-line's conditions are the sum of the impact made by the type and quantity of cable, the connected user-devices, and the intercom power source.

Whenever a user presses one of the Model 46's "auto null" buttons digital circuitry adjusts the analog hybrids to rapidly achieve their maximum return-loss. The nulling process takes less than 10 seconds for each channel of an interface. However, it's important to note that while the nulling process is automatic, it only takes place upon user request. This can lead to more stable and consistent audio performance when a hybrid is exposed to the varying 2-wire conditions often found in broadcast applications. The parameters obtained during the nulling process are stored in non-volatile memory; mains power interruptions won't require the auto nulling function to again be performed.

A sine-wave audio tone is generated for use during the auto nulling process. The frequency is software-controlled to maximize the ability of the hybrid circuits to reach a "deep" null. In addition, at the beginning of each auto null sequence a short period of 24 kHz tone is sent to the associated 2-wire party-line interface. This serves as a microphone disable ("mic kill") signal for user devices such as the RTS BP325. By automatically disabling "open" microphones the auto nulling process can achieve better performance.

4-Wire Interfaces

Associated with the 4-wire portion of the Model 46's interfaces are analog line-level inputs and outputs. These are intended to interconnect with a variety of 4-wire devices, including matrix intercom systems, audio-over-fiber transmission systems, and other specialized audio equipment. The input and output circuitry is transformer-coupled to minimize the chance of hum, noise, or ground "loop" issues. A key characteristic of the Model 46's design is the ability to select the 4-wire input and output nominal levels. This helps to ensure compatibility with virtually all audio equipment. Front-panel-accessible DIP switches allow the nominal levels to be configured from among four choices: 0, +4, +6, or +8 dBu. The 0 dBu setting was specifically provided for compatibility with Clear-Com matrix intercom systems. The +4 dBu setting allows "standard" audio signals to be directly connected. Digital matrix intercom systems from Riedel® can be effectively connected using the +6 dBu setting. And the +8 dBu setting allows proper level matching with the popular ADAM™ series of matrix intercom systems from Telex/RTS. This setting also applies to the related RVON-I/O VoIP product.

The Model 46 contains eight 5-segment LED level meters. Four of the meters are provided for each interface, with two displaying the level of the signal being received from the 4-wire source and two displaying the level being sent to the 4-wire output. During installation and setup the meters are invaluable in helping to confirm that the nominal level DIP switch settings have been properly made. During normal operation the meters offer rapid confirmation of audio signal flow in

and out of the unit. Additional LED status indicators are also provided, offering a clear view of the 2-wire DC power and auto null functions.

Pro Audio Quality

The Model 46's audio circuitry was designed in the spirit of professional audio equipment, rather than that found in typical party-line intercom gear. High-performance components are used throughout, providing low-distortion, low-noise, and high headroom. Using passive and active filters, the frequency response is limited to approximately 100 Hz to 8 kHz. This range was selected to provide excellent performance for human speech, while maximizing the ability of the hybrids to create substantial "nulls." When the Model 46's internal DC power sources are selected to provide 2-wire party-line intercom power, enhanced audio performance can also be expected. The quality of the DC supply circuits is excellent, with very little noise, hum, or "hiss" being added to the 2-wire connections. In addition, the impedance characteristics of each interface's DC powered ("wet") channels was tailored to be essentially identical to that of the unpowered ("dry") channel. This unique situation allows the automatic nulling circuitry to provide excellent, consistent results for both the powered and unpowered channels.

Attention to detail is a hallmark of the Model 46's design. For example, during the brief auto nulling process an interface channel's 4-wire input and output signal is muted, preventing unwanted audio from reaching the connected equipment. Associated with the 2-wire interfaces is circuitry that, under software control, applies 200 ohm terminating impedances to the 2-wire party-line

circuits. This, along with other circuitry that monitors DC voltages present on the 2-wire circuits, ensures that audio instability associated with unterminated circuits will rarely occur. As previously mentioned the Model 46's 2-wire DC power sources offer a unique level of performance. Their ability to deliver power while maintaining audio quality is simply unmatched.

Special Applications

While the Model 46 is designed to directly integrate into typical applications, it's ready to support the "one-in-a-million" situations too. To accomplish this DIP switches, accessible on the back panel, allow some of the automatic features to be disabled. For example, one switch allows the auto-terminate feature to be disabled. While this feature can help maintain audio quality, advanced users might need to disable it. This would allow full control over the Model 46's four hybrid circuits, enabling them to be used completely independently. A second DIP switch changes the way in which the front-panel auto null push button switches operate. Normally pressing one of the buttons begins the process of auto nulling both channels associated with an interface. The alternate switch mode allows each auto null sequence to be activated independently. One tap of the auto null button will begin the auto null process for interface one. Two taps of the button will begin the auto null process for channel two. For installer-selected applications, three opto-coupled inputs allow selected Model 46 features to be remotely controlled. These features include remote auto nulling for each interface and remote "mic kill" activation.

Simple Installation

The Model 46 uses standard 3-pin XLR-type connectors to allow convenient interconnection in most broadcast and general audio environments. For flexibility, access to the 2-wire party-line intercom interfaces can be made using the connectors provided on both the front and back panels. In permanent installations the back-panel connectors will typically be utilized. In other settings, such as field television production, front-panel-access allows intercom belt packs to be rapidly connected, without requiring access to the inside of a rack enclosure or necessitating the use of a secondary input/output (I/O) panel.

The Model 46 is housed in a rugged steel enclosure that is designed to be “road tough.” It mounts in one space of a standard 19-inch rack enclosure. The mains input source can range from 100 to 240 volts, 50/60 Hz allowing direct operation virtually anywhere in the world. A switch-mode power supply, contained within the Model 46’s enclosure, provides conversion of the mains input power into the DC voltage required by the intercom power supply circuits. Also contained within the unit is a DC-to-DC converter that creates the voltages required by the analog and digital circuitry. These efficient power supplies help to ensure cool, reliable operation in a variety of settings.

Design Philosophy

While the “bits and pieces” that make up the Model 46 have been described in conventional terms, the real strength of the unit rests in how it integrates and performs in the “real world.” Before beginning the Model 46’s design process, conversations with industry experts quickly made it

apparent that installing and configuring existing 2-wire-to-4-wire interface units was invariably a time-consuming, aggravating process that required the talent of an expert to achieve reasonable results. And even under those constraints the resulting audio performance was often mediocre. Any new design had to look at the application in a different way. This led to the overriding Model 46 design goal: create a “new breed of cat,” fundamentally changing how broadcast 2-wire-to-4-wire interface equipment fit into actual applications.

An important first step was to eliminate the requirement that a senior technician, along with a screwdriver, be present during every installation. (It was universally acknowledged that their time can be better spent elsewhere!) The need to adjust trim potentiometers, fabricate special cabling and connector straps, use nulling earpieces, etc. had to be eliminated. For example, in virtually all instances, input and output levels fall within just a few nominal values and, as such, could be supported with a limited number of configurable choices. In addition, it was acknowledged that in this application analog audio circuitry was capable of providing excellent audio performance, but that the required manual nulling process was operationally taxing. By adding digital control to the analog circuitry, automatic nulling could be performed—the best of both worlds!

The next step was to identify resources that would improve the installation process and make operation more reliable. This led to the inclusion of multiple LED level meters, allowing continuous monitoring of the input and output signals. It also turned out that in many applications only a small number of user devices, such as belt packs, are

typically connected to 2-wire party-line circuits. By adding DC power sources to the Model 46's 2-wire interfaces, the need for external intercom power supplies could often be eliminated.

The final step was to create a physical package that would provide significant resources in a form that allowed simple and reliable integration with other equipment. This was accomplished by including two 2-channel interfaces in a one-rack-space enclosure. Using standard 3-pin XLR-type audio connectors would enable rapid installation and troubleshooting. And by making the Model 46 "universally" powered, installation in any locale could be directly supported.

Installation

In this section you will be installing and interconnecting the Model 46. The one-rack-space unit will be mounted in an equipment rack. Audio input, audio output, and party-line intercom connections will be made by way of 3-pin XLR-type connectors. AC mains power will be connected by means of a detachable cord set that is compatible with the Model 46's 3-pin IEC 320 C14-type inlet connector.

System Components

The shipping carton contains the Model 46 Interface and associated user guide. Units destined for North America and Japan also include an AC mains cord. Your dealer or distributor should provide an AC mains cord for other destinations.

Locating the Model 46

The Model 46's mounting location will dictate the length of the cable runs needed to

link the unit with the connected devices. This is really only a factor in relation to the 2-wire party-line intercom circuits. These circuits carry unbalanced audio which can be susceptible to interference and crosstalk issues. Intercom circuits also carry DC power which may make resistive losses come into the picture. In general, shorter intercom cable lengths will assure more reliable and consistent system performance. Another location criterion is access to the Model 46's front panel. An optimal location will allow convenient use of the auto null push buttons and easy observation of the status and level meter LEDs.

Mounting the Model 46

Once a mounting location has been selected installation can begin. The Model 46 requires one space (1.75 vertical inches) in a standard 19-inch (48.3 cm) equipment rack. Secure the unit into the equipment rack using two mounting screws per side.

4-Wire Audio Inputs and Outputs

Two audio line input and two audio line output signals are associated with the 4-wire section of each of the Model 46's two interface circuits. Connections are made using standard 3-pin male and female XLR connectors. Refer to Appendices A, B, and C for details on interconnecting with Telex/RTS, Riedel, and Clear-Com matrix intercom systems.

4-Wire Line Inputs

As previously mentioned, each of the Model 46's two interfaces allows two analog line-level audio sources to be

connected. The source for these signals will typically be ports on a matrix intercom system. It's also possible that the signals will come from other devices, such as a fiber optic or copper-based audio transmission system. The 4-wire input circuitry is balanced, capacitor coupled, transformer isolated, and has an impedance of 13 k ohms. The line inputs are compatible with signals that have a nominal level of 0, +4, +6, or +8 dBu. Configuration switches, located on the Model 46's front panel, allow the circuitry to be adjusted to match the connected nominal level. The switches work in tandem to control both the input and output nominal levels.

Audio sources are connected to the line inputs by way of 3-pin female XLR-type connectors which are located on the unit's back panel. Refer to Figure 1 for a detailed view. Note that pin 1 of these connectors is internally connected to the Model 46's earth/chassis ground point.

Prepare the mating connectors (males) so that pin 2 is signal high (+ or hot), pin 3 is low (- or cold), and pin 1 is shield. If connecting a source in this manner results in hum or noise it's possible that removing the shield connection from pin 1 can eliminate the issue; "floating" pin 1 will

remove a potential ground current path from the Model 46's earth/chassis ground point through the shield of a cable. Also, if a hum or noise issue does arise be certain to confirm that, unless absolutely necessary, the mating connector's "shell" isn't connected to the cables' shield or pin 1. Termination of this "fourth" pin of a 3-pin XLR connector is often the cause of seemingly inexplicable noise issues.

With an unbalanced source connect pin 2 to signal high (+ or hot) and both pins 1 and 3 to shield. If connecting an unbalanced source in this manner results in hum or noise, connect pin 2 to high (+ or hot) and pin 3 to shield; leave pin 1 unterminated.

4-Wire Line Outputs

Each of the Model 46's two interfaces provides two analog line-level audio outputs. These outputs are intended to be connected to inputs on the devices associated with the 4-wire audio signals. The outputs are capacitor coupled, transformer balanced with a nominal level of 0, +4, +6, or +8 dBu. As previously mentioned, the 4-wire nominal level configuration switches, located on the Model 46's front panel, control the level of both the line outputs and the line inputs. The 4-wire line

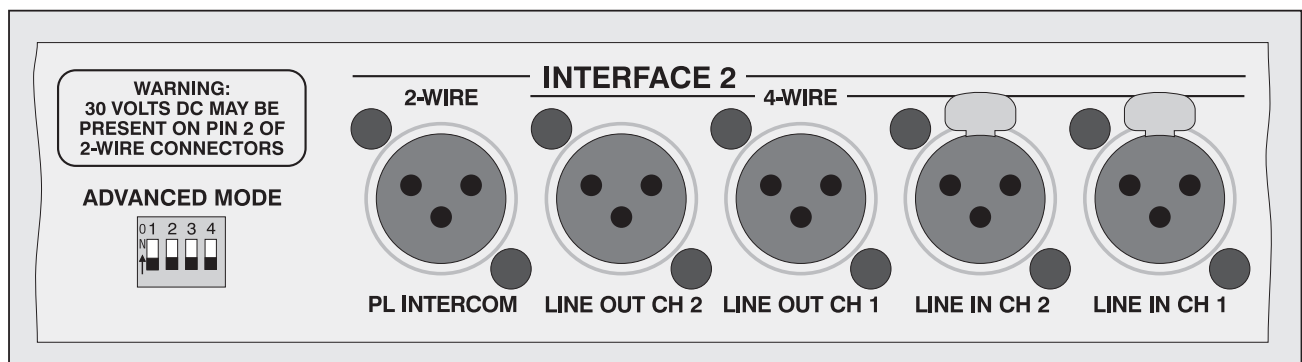


Figure 1. Detail of back panel showing line inputs and outputs

outputs are capable of driving inputs that have impedances as low as 600 ohms, however connecting to loads of 2 k ohms or greater is preferred. The line outputs are connected by way of 3-pin male XLR-type connectors which are located on the Model 46's back panel. Refer to Figure 1 for a detailed view.

The mating connectors (females) should be prepared so that signal high (+ or hot) is expected on pin 2. Signal low (– or cold) should be expected on pin 3. The cables' shields can be connected to pin 1. However, in order to minimize the chance that ground-interaction problems will arise, pin 1 on each of the line output connectors is isolated from all Model 46 circuitry and ground points. "Floating" pin 1 virtually eliminates the chance that a "ground loop" problem will occur.

2-Wire Party-Line Intercom Connections

The Model 46's 2-wire party-line (PL) intercom interfaces are designed to directly connect with standard single- and dual-channel party-line intercom devices. Each of the two 2-channel PL interfaces is compatible with intercom circuits that have their own DC power sources. Alternately, the Model 46 can provide the DC power required by connected intercom user devices. The internal 30 volt DC intercom power source is limited to 300 milliamperes of current. This moderate amount of power requires that the type and number of connected user devices be selected appropriately.

For convenience, the 2-wire PL intercom circuits can be connected to the Model 46 by way of four 3-pin male XLR-type connectors; two are located on the back panel

and two on the front. They are organized in groups of two connectors per interface, one on the back and one on the front. They are wired in parallel ("mulated") and provide access to the identical signals.

Dual-Channel Intercom Systems

If compatibility with RTS TW systems is desired the mating connectors (females) should be wired so that common is on pin 1, DC with channel 1 audio is on pin 2, and channel 2 audio is on pin 3. This wiring scheme is correct whether the connected devices are to be powered by an external source or by means of the Model 46's internal power sources.

Single-Channel Intercom Systems

There are two ways of connecting to the Model 46's 2-wire PL intercom connectors when compatibility with Clear-Com single-channel intercom devices is desired. The most direct method is to prepare the female XLR mating connector so that common is on pin 1, power is on pin 2, and audio is connected on pin 3. With this connection scenario only audio channel two, associated with pin 3 of the Model 46's 2-wire PL intercom interface connectors will be utilized. Pin 2, the Model 46's audio channel one, will only be used for connecting DC power to the connected devices. While the audio resources provided by channel one will not be used, the Model 46 can still be used to supply DC power on pin 2. As previously mentioned, the maximum current draw on the 30 volt DC output is 300 milliamperes. Alternatively, an external intercom power supply can support the connected devices.

In some single-channel PL intercom system applications it may be desirable to take full advantage of the two channels

associated with each Model 46 interface. In these applications one might want to view the Model 46 as providing four 2-wire-to-4-wire interface circuits. The Model 46 can certainly be used in this fashion, but adapter cables will have to be prepared. These adapters will “split” the Model 46’s 2-wire PL intercom connectors into two 3-pin male XLR connectors, one for each audio channel. Pin 1 of the female 3-pin XLR intended to mate with the Model 46 will connect to pin 1 of both 3-pin male XLR connectors. Pin 2 of the female XLR will go to pin 3 of the male XLR designated as channel 1. Pin 3 of the female XLR will go to pin 3 of the male XLR designated as channel 2. Refer to Figure 2 for details. Using two adapter cables the Model 46 can be directly interconnected with four Clear-Com intercom circuits. However, power for the connected devices must be provided by external power sources. The Model 46’s ability to supply intercom power will not be utilized.

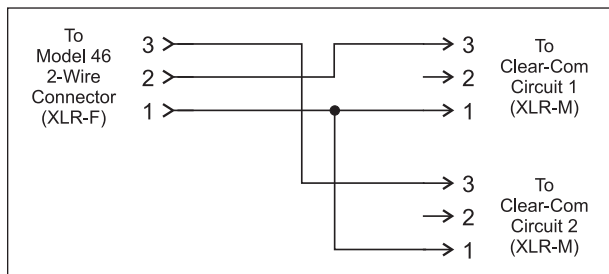


Figure 2. Adapter cable wiring diagram

Note: It’s critical that the correct configuration settings be made when using the Model 46’s interfaces to support four independent intercom circuits. Specifically, the 2-wire power source configuration DIP switches must be set for external. In addition the auto terminate disable DIP switch must be placed in its on (up) position.

Refer to the Configuration and Advanced Configuration sections of this user guide for details.

Remote Control Inputs

The Model 46 allows connection of three externally provided DC signals. These signals can provide remote control operation of three functions: auto nulling for interface 1, auto nulling for interface 2, and a special “mic kill” function. Remote control of the auto nulling functions provides a resource identical to that of the front-panel pushbutton switches. The exact manner in which the buttons and the remote control inputs operate depends on the setting of auto null button mode configuration DIP switch. The “mic kill” function is unique, only being available using the remote control input. It causes a 500 millisecond “burst” of 24 kHz signal to be sent sequentially to both of the 2-wire partly-line interface channels associated with each of the Model 46’s two interfaces. To clarify, a “mic kill” signal is sent to a total of four intercom channels whenever the function is activated. Independent control of sending “mic kill” signals to interface 1 or interface 2 is not supported. User intercom devices compatible with this 24 kHz “mic kill” signal include RTS TW-series belt-packs such as the BP325.

The opto-coupled remote control inputs are designed for direct connection with 3.3 and 5 volt DC logic signals. An internal 475 ohm resistor, in series with each opto-coupler’s photodiode, acts to limit the current flow. Signals of up to 32 volts DC can be safely connected as long as the current is limited to 20 milliamperes maximum. If necessary, an external resistor can serve to limit the current. For example,

Model 46 Interface

with a 12 volt DC signal using a 560 ohm, 1/4-watt resistor in series with the connection would be appropriate. With a 24 volt DC control signal a series resistor of 1.8 k (1800) ohm is recommended. For correct operation a minimum current of 2 milliamperes is recommended.

Access to the remote control inputs is provided by means of a 10-pin male “header” connector which is located on the Model 46’s circuit board. Refer to Figure 3 for a view of the connector’s location. The “keyed” and “shrouded” header follows a common industry-standard specification: 2 rows of five pins each with 0.1 inch between rows and pins. The mating connector is intended to be an insulation-displacement (IDC) socket connector such as the AMP 746290-1. The connector would be “crimp” terminated

onto a piece of 10-conductor flat ribbon cable. This ribbon cable can safely exit the Model 46 by laying flat between the chassis and the cover. The ribbon cable can then “fan out” to loose wires or, better yet, be terminated onto another connector such as a 9-pin D-subminiature type.

There are several ways of preparing to connect to the remote control inputs. The easiest means is to purchase an interconnecting cable assembly from Studio Technologies, Inc. The cable assembly consists of a length of ribbon cable with a 10-pin socket on one end and a 9-pin D-sub female on the other. Contact the factory or check the website for details. Alternately, a competent technician can easily fabricate an appropriate remote control input interconnect wiring assembly. An example of a partially pre-made assembly

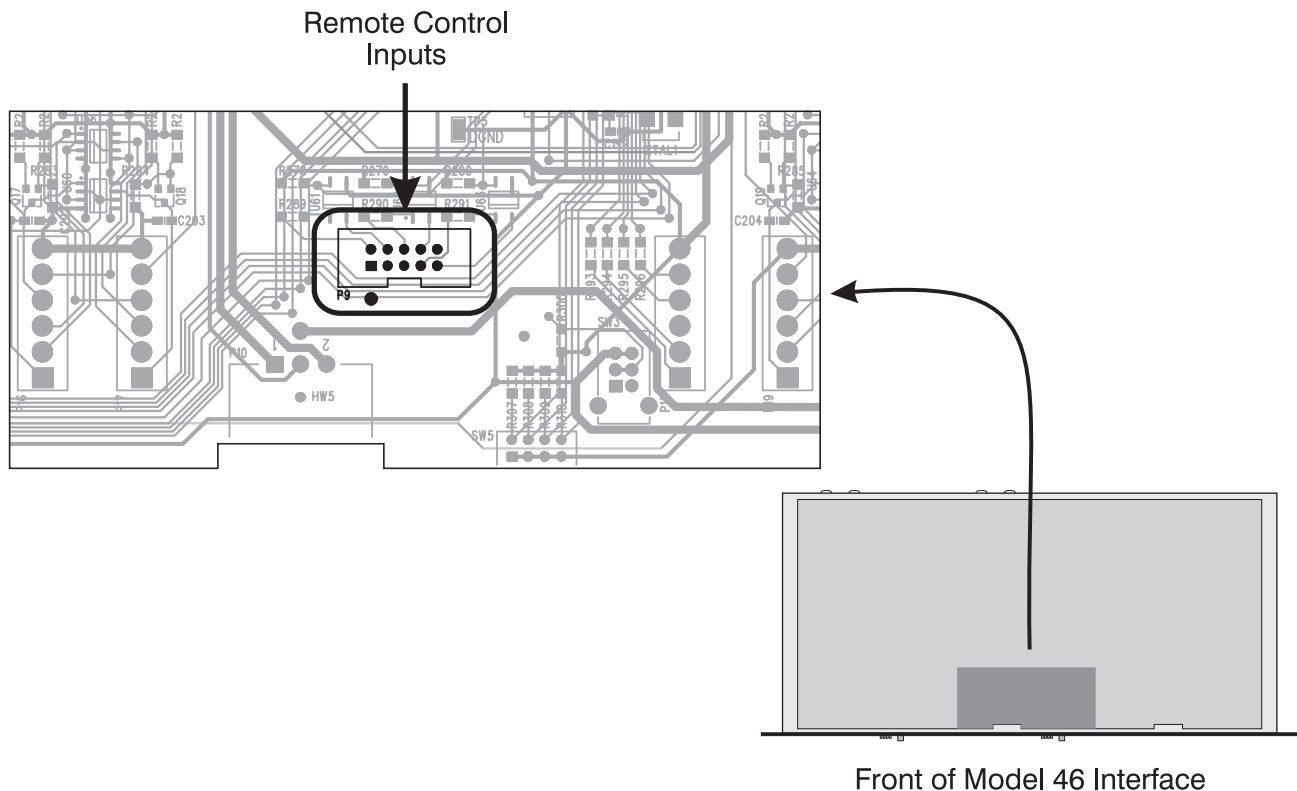


Figure 3. Location of 10-Pin male header connector on the Model 46 printed circuit board

is part number A1AXH-1036G-ND which is available from Digi-Key (www.digikey.com).

It's important to ensure that the source of the remote control signals can meet the Model 46's logic-state and timing requirements. The Model 46 recognizes an idle remote control input as one that has no current flowing through it. An active remote control input is one that has current flowing through it for a minimum of 30 milliseconds. A special case arises when the auto null button operating mode has been set to independent. This requires one front-panel button "tap" to auto null channel 1 and two button "taps" to auto null channel 2. The remote control equivalent for one "tap" is current flowing for a minimum of 30 milliseconds. The equivalent for two "taps" is current that flows for 30 milliseconds, then a minimum no-current period of 30 milliseconds, followed by current flow for a minimum of 30 milliseconds. The second period of current flow must come within one second of the start of the first.

Once the interconnect method and the source of the control signals have been selected, refer to Figure 4 for connection details. Ensure that the connected signals follow the specified polarity or damage to the opto-coupled inputs may occur.

Function	10-Pin Header (P9)	9-Pin D-Sub Interface Cable
Remote Auto Null Interface 1 +	7	4
Remote Auto Null Interface 1 -	9	5
Remote Auto Null Interface 2 +	2	6
Remote Auto Null Interface 1 -	4	7
Remote "Mic Kill" +	6	8
Remote "Mic Kill" -	8	9

Figure 4. Remote control input pin-out chart

It's important that a competent technician be available to perform the actual remote control input connection process. As expected, mating the interconnecting cable assembly with the Model 46's 10-pin "header" requires removing the unit's cover. As such, this must be done only after confirming that all sources of mains power have been disconnected from the unit.

AC Mains Power

The Model 46 operates directly from AC mains power of 100 to 240 V, 50/60 Hz. As a "universal mains input" device, there are no switches to set or jumpers to install. A 3-pin IEC 320 C14-type inlet connector on the Model 46 mates with a detachable mains cord set. For units shipped to North America and Japan a cord is supplied that has a North-American (NEMA 15L) standard plug on one end and an IEC 320 C13-type connector on the other. Units bound for other destinations require that the appropriate cord set be obtained. The wire colors in the mains cord should conform to the internationally recognized color code and should be terminated according to the following chart:

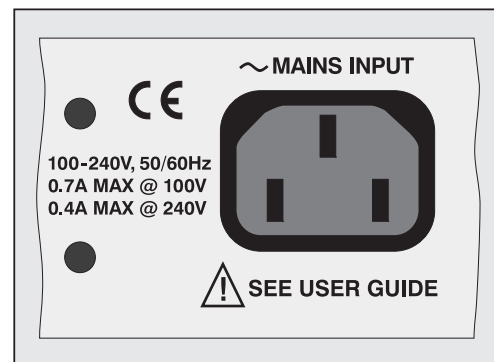


Figure 5. Detail of back panel showing AC mains power connector

Connection	Wire Color
Neutral (N)	Light Blue
Line (L)	Brown
Earth/Ground (E)	Green/Yellow

Safety Warning: The Model 46 does not contain an AC mains disconnect switch. As such, the AC mains cord plug serves as the disconnection device. Safety considerations require that the plug and associated inlet be easily accessible to allow rapid disconnection of AC mains power should it prove necessary.

As soon as AC mains power is applied the Model 46 will begin its power-up sequence. As a “boot up” indication the power LED and each of the status LEDs will momentarily light. After the sequence has completed the power LED will again light and remain lit. The unit is now fully functional.

Configuration

For the Model 46 to support the needs of specific applications a number of operating parameters must be configured. These include the 2-wire party-line power source, the nominal 2-wire level, and the nominal 4-wire level. Three 4-position DIP-type switch assemblies are used to establish the desired configuration. One DIP switch assembly is associated with interface 1, a second is associated with interface 2, and a third associated with advanced operating features that apply to both interfaces.

Configuration – Interface 1 and 2

The DIP switch assemblies associated with interface 1 and 2 are accessible on the Model 46’s front panel. They provide identical capability for their respective interfaces. Refer to Figure 6 for a detailed view. In this section the four switches associated with interface 1 will be covered in detail. This information applies to interface 2 as well. The four switches allow selection of the 2-wire party-line power source, the nominal level for the 2-wire party-line channels, and the nominal level of the 4-wire inputs and outputs.

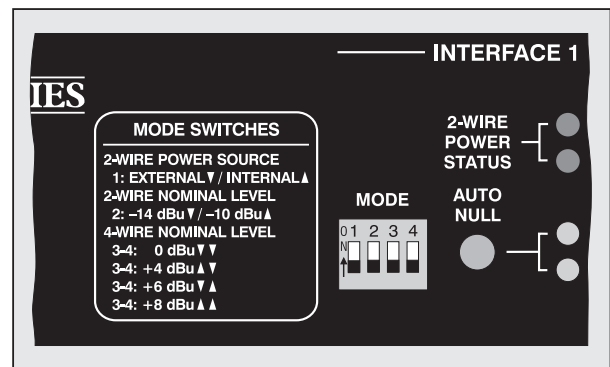


Figure 6. Detail of front panel showing four DIP switches

2-Wire Party-Line Power Source

DIP switch 1 is used to select whether or not the Model 46 provides DC power to pin 2 of connectors associated with the 2-wire party-line intercom channels. Two 3-pin male XLR-type connectors, one located on the Model 46’s front panel and one on the back panel, are used to interconnect the Model 46 with the intercom user devices. When switch 1 is in its off (down) position the Model 46 will not provide DC power. This switch setting is appropriate when an external intercom

power supply is providing power to the intercom circuit. In addition to power, it's expected that the external power supply will also provide the required 200 ohm terminating impedance to both pins 2 and 3.

When switch 1 is in its on (up) position the Model 46 will provide a 30 volt, 300 milliamperes maximum source of DC power to pin 2 of the 2-wire PL intercom connectors. The Model 46 will also provide 200 ohm terminating impedances for both pin 2 and pin 3 of the party-line connectors. The DC power and termination capabilities allow direct powering of dual-channel intercom belt packs, such as the RTS BP325. In addition, listen-only belt packs, such as the Model 34 from Studio Technologies, Inc. can be directly connected. There's also no problem connecting single-channel intercom belt packs or user stations.

2-Wire Nominal Audio Level

DIP switch 2 allows adjustment of the nominal audio level for the two 2-wire party-line channels associated with interface 1. When the switch is in its off (down) position the nominal level is -14 dBu. This level is compatible with intercom belt packs from manufacturers such as Clear-Com. When the switch is in its on (up) position the nominal level is -10 dBu. This setting is appropriate when belt packs from RTS, such as the BP325, or listen-only talent amplifier units from Studio Technologies, Inc. are connected. For best Model 46 performance it's important that the 2-wire nominal level selection be made correctly.

4-Wire Nominal Audio Level

DIP switches 3 and 4 are used to configure the nominal level of the input and output circuitry associated with interface 1's two 4-wire input and output connections. Four level settings are available: 0, +4, +6, and +8 dBu. Prior to setting these DIP switches it's important to determine the nominal audio level of the equipment connected to the Model 46's 4-wire input and outputs. This may take a little investigation but is important for obtaining the best possible Model 46 performance.

The 0 dBu setting is provided specifically for use when a Model 46 is interconnected with a Clear-Com matrix intercom system. The +4 dBu setting is appropriate when standard audio lines with "+4" nominal levels are interconnected. The +6 dBu setting can be appropriate when interconnecting with equipment manufactured in Europe, such as the digital matrix intercom systems from Riedel. The +8 dBu setting is provided specifically when interconnecting the Model 46 with audio signals associated with an RTS ADAM-series of matrix intercom system. This includes the related RVON-I/O unit.

When DIP switches 3 and 4 are in their off (down) position the nominal level is set for 0 dBu. When switch 3 is on (up) and switch 4 is off (down) the nominal level is +4 dBu. When switch 3 is off (down) and switch 4 is on (up) the nominal level is +6 dBu. When both switches 3 and 4 are in their on (up) position the nominal level is configured for +8 dBu.

Advanced Configuration

Four DIP switches are provided on the Model 46's back panel. They allow the two interfaces to be configured for several advanced operating modes. Refer to Figure 7 for a detailed view of these DIP switches. The available modes include auto terminate disable, auto null button operation, and factory test.

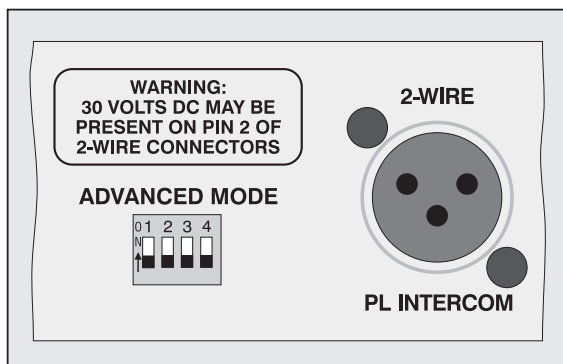


Figure 7. Detail of back panel showing the Advanced Mode DIP switches

Auto Terminate Disable

The auto terminate function is designed to ensure that each 2-wire-to-4-wire interface circuit remains stable under most operating conditions. Specifically, 200 ohm impedances are automatically applied to both pins 2 and 3 of a Model 46 2-wire party-line interface when that interface is configured for external power and no external source of intercom power is detected on pins 2 or 3. This function is directly compatible with RTS TW-series intercom applications in which the three conductors of a cable support both DC power and two channels of audio. It's also compatible in situations where all three conductors of a Clear-Com single-channel intercom circuit

are connected to the Model 46. In this latter case only one of the Model 46's audio channels will be used.

There may be situations where it's necessary for the two channels associated with each Model 46 interface be used with separate 2-wire party-line circuits. An example of this might be where two "loops" of single-channel belt packs, such as units from Clear-Com, need to be connected. Adapter cables as shown in Figure 2 would be used. In this case the intercom circuit's DC power will not be connected to the Model 46, but only to the user devices. In this scenario, a DC voltage won't be present on pin 2 or pin 3. Another example of this might be where adapter boxes with DC blocking are used to interconnect intercom circuits with the Model 46. In both these cases a DC voltage won't be present on either pin 2 or 3 and the Model 46 will automatically apply 200 ohm terminations. In both these cases the termination will be in error and will result in incorrect audio levels due a double-termination condition.

To prevent this problem the auto terminate function can be disabled. When DIP switch 1 is in its off (down) position the auto terminate function is active. When switch 1 is in its on (up) position the auto terminate function associated with each interface is disabled. Repeating for clarity, the auto terminate disable function applies to both interfaces 1 and 2. With the auto terminate function disabled the two 46 interfaces, when set for external power, will operate normally with the exception that pins 2 and 3 will never be terminated by the Model 46's circuitry.

The auto terminate disable function should be used only when absolutely necessary; it's possible that a significant downside could be experienced. With auto terminate disabled it's important that properly terminated 2-wire party line-intercom circuits be connected to pins 2 or 3 on the Model 46's 2-wire PL connectors. If they are not connected, it's likely that audio oscillations, noise, and distortion will be generated in the Model 46's 2-wire-to-4-wire converter circuitry. These audio artifacts will not cause any damage, but will be sent out the 4-wire line output connectors. Users of the 4-wire equipment may be less than pleased with what they hear!

Auto Null Button Operation

One pushbutton switch is associated with each of the Model 46's two interface circuits. An advanced configuration parameter allows selection of the button's operation. The choices are dual auto null mode and independent auto null mode. When dual auto null mode is selected a single "tap" (press and release) of one of the two front-panel pushbutton switches initiates a routine that begins with channel 1's auto null sequence taking place followed immediately by channel 2's auto null sequence being performed. Note that the mode selected for auto null button operation will also apply to the remote auto null inputs.

The independent auto null mode allows the auto null function to be initiated for each channel as desired. A single "tap" will start the auto null routine for channel 1. Two "taps" will start the routine for channel 2.

When DIP switch 2 is in its off (down) position the dual auto null mode is selected.

This is provided specifically for cases where the Model 46's 2-wire party line interfaces will be used with dual channel intercom user devices. As an example: the RTS TW-series provides two independent audio channels, as well as power, over a single 3-conductor cable. In a case such as this it's useful for both of the hybrid circuits associated with an interface to be auto nulled at approximately the same time. The dual auto null mode allows a single "tap" of the button to initiate nulling of both hybrid circuits.

When DIP switch 2 is in its on (up) position the independent auto null mode is selected. This would be appropriate for applications in which the two audio paths associated with each interface are used with independent party-line intercom circuits. This situation might arise when two Clear-Com single-channel intercom circuits are connected to one of the Model 46's dual-channel interfaces. The hybrid circuit associated with each channel can be auto nulled as desired. Another example would be in an RTS TW-series application that uses source assignment panels. The "SAP" panels would be used to route multiple intercom channels to various sets of user devices as desired. In this case, the two channels associated with each Model 46 interface will often end up not routed to the same user device; independent auto nulling is certainly desired.

Factory Test

Back-panel DIP switch 4 is used to select between normal mode and factory test mode. When switch 4 is in its off (down) position the Model 46 operates in its standard fashion. When switch 4 is in its on (up) position the factory test mode is

selected. As expected, when the Model 46 is deployed in the field switch 4 should remain in its off (down) position. No damage to the Model 46 or connected equipment will occur when factory test mode is active.

Spare Switch Position

Back-panel DIP switch 3 is currently not used for any function. During normal operation it should remain in its off (down) position.

Operation

Technician intervention is typically not required during normal Model 46 operation. The unit is designed for continuous operation with no routine maintenance necessary. Activating the auto null functions may be warranted should connected user devices or wiring associated with the 2-wire party-line intercom be changed. Upon power-up the Model 46 will go through a short initialization sequence before normal operation will begin. The power and status LEDs will each light sequentially and, upon completion, the power LED will light steadily. The settings for the four hybrid circuits are stored in non-volatile memory and will be recalled during the power-up process.

Level Meters

The Model 46 contains eight 5-segment LED level meters. These meters are provided as a support aid during installation, configuration, operation, and troubleshooting. The meters represent the signals coming in from, and going out to, the 4-wire connections. The meters are organized in four groups each representing one input and one output. They are calibrated to reflect

the level in dB relative to the configured nominal operating level. This is similar to the way in which now-legacy VU meters functioned. As an example let's take the situation where the nominal operating level of an interface is configured for +4 dBu and an output ("to 4-wire") LED labeled "0 dB" is lit. (For this example, the level on the 2-wire PL circuit is just large enough to light the "0" LED.) This indicates that a signal with an approximate level of +4 dBu is present on the associated 4-wire output connector. Another example would be a Model 46 interface configured for +8 dBu operation and a -12 dB LED is lit. This indicates that a signal with audio level of -4 dBu is present on its associated output.

Each level meter contains four green LEDs and one yellow LED. The four green LEDs indicate signal levels at or below the configured nominal level. The top LED is yellow in color and indicates a signal that is 6 dB or greater than the nominal level. An audio signal that causes the yellow LED to light doesn't necessarily indicate an excessive level condition, but it does provide a warning that at some stage reducing the signal level may be prudent. Normal operation with normal signal levels should find the meters lighting near their 0 dB point. Signal peaks may cause the yellow LEDs to flash. But a yellow LED that lights fully during normal operation will typically indicate a signal level or configuration problem.

If the "from 4-wire" meters display consistency lower or higher levels than their 0 dB points it's possible that a configuration issue exists. One potential problem is incorrectly set 4-wire nominal audio level DIP switches for one or both of the Model 46's

interfaces. If the nominal level is set too low then sufficient audio headroom might not be available. It can also result in excessively-high audio signals being sent to 2-wire party-line circuits. Setting the nominal level for too high a value will reduce the signal-to-noise performance. And, as expected, it may also result in audio signals being sent to the 2-wire circuits at too low a level. Begin a review by confirming that the two 4-wire level DIP switches associated with each interface are set as required.

If the Model 46's 4-wire nominal levels are set correctly but the meters still reflect sub-optimal levels, the issue may be related to incorrect settings on the equipment connected to the 4-wire inputs and outputs. It's possible that although a connected 4-wire device's nominal level matches the Model 46's level setting, its actual nominal level may be significantly different. With a digital matrix intercom system this problem could be due to an incorrect configuration having been made to a specific channel or port. For example, the RTS ADAM system has a published nominal level of +8 dBu, but using its configuration software it's possible to set panels or ports to a level different than nominal. The best solution in this case is to adjust the intercom system so that its levels comply with its own published nominal. This should, at least in theory, lead to the best system performance, including correct interfacing with the Model 46. But often it's impossible to "clean up" the levels of an existing system. In this case it may be necessary to revise the Model 46's 4-wire nominal level settings to match the reality of the connected signals.

The "to 4-wire" meters display the level of signals that come from the 2-wire party-line circuits and go out the 4-wire interfaces. An issue may arise if the signals coming from the connected party-line user devices aren't at a sufficient level so that a normal meter display can be reached. This could be the result of an incorrectly configured 2-wire nominal audio level. Confirm that the DIP switch, associated with each interface, is set to match the nominal level of the connected devices. RTS user devices have a nominal level of -10 dBu; Clear-Com devices typically have a -14 dBu nominal level.

It's also possible that an error is present on the 2-wire party-line circuit. Signal levels associated with 2-wire party-line circuits depend on a single termination being present. This termination, typically 200 ohms, is almost always made at the power supply source. But it's possible that another device, such as a second active power supply on the same circuit, will cause a "double-termination" condition. This leads to a nominal 100 ohm line impedance which will result in a level drop of at least 6 dB. Removing the unwanted termination is really the only valid means of correcting the problem.

Connecting Party-Line Devices

The Model 46's two dual-channel interface circuits allow two sets of user devices to be connected. Depending on the setting of the configuration DIP switches, either an external intercom power source or the Model 46's internal 2-wire power source has been designated for supporting the connected user devices.

External Power Source

When set for an external 2-wire power source, the Model 46 will not provide power on pin 2 of the 2-wire connectors, nor will the Model 46 use any power from a connected intercom circuit. As expected, audio signals will be sent from, and received by, each interface's two audio circuits. In this mode of operation the Model 46 acts as a typical user station on the connected intercom circuit.

As a connection confirmation, hardware and software in the Model 46 monitors pins 2 and 3 of the 2-wire PL intercom connectors for the presence of DC voltage. A level greater than approximately 18 volts DC on pin 2 will cause the status LED labeled pin 2 to light. A level greater than 18 volts DC on pin 3 will cause the pin 3 status LED to light.

The author is aware that user intercom devices almost always draw power from pin 2 rather than pin 3. However, in many broadcast applications, power is provided on all intercom paths so that flexible channel assignments can be made. In the external 2-wire power mode the Model 46 is simply an observer; whether intercom power is present on pin 2, pin 3, or both pins 2 and 3 is not significant.

So that the Model 46's 2-wire-to-4-wire interface circuits remain stable and don't generate audio artifacts, an auto terminate feature is implemented. This maintains a 200 ohm termination on both pins 2 and 3 so long as neither of the 2-wire power status LEDs is lit. To clarify, if either, or both, the LEDs are lit then both terminations are removed. It was felt that this method would provide a fairly accurate indication that an active intercom circuit is connected. In this case the 200 ohm termination is

expected to be provided elsewhere, typically as part of the external power supply, and the Model 46's termination is "lifted."

Internal Power Source

When an interface's front-panel DIP switch is set for internal 2-wire power the Model 46's 2-wire party-line interface supplies 30 volt DC on pin 2 of the output connector. A maximum current draw of 300 milliamperes is available. This current is sufficient to power various intercom user devices such as small user stations and belt packs. A common broadcast application would be to use RTS BP325 belt packs. Select the connected devices so that their total current doesn't exceed 300 milliamperes. That's not always the easiest figure to calculate but a web search will generally find specifications for all commonly used devices. For example, a search finds that the original version of the BP325 consumes a maximum of 85 milliamperes of current. According to this figure up to three of these units can be connected to each Model 46 interface. Newer versions of the BP325 use surface mount component technology and have a lower maximum current draw of 65 milliamperes. Four of these "modern" BP325 units can easily be supported.

The Model 46's intercom power supply circuits operate under software control. This allows detection of fault conditions and protection of both the Model 46's circuitry and connected intercom user devices. Upon initial Model 46 power up no monitoring of the intercom power output takes place for a period of five seconds. This allows the Model 46's circuitry and the connected intercom user devices to stabilize. The LED associated with pin 2 will light to indicate that the

output is active. After this initial 5-second period monitoring becomes active. A fault condition is detected if the power on pin 2 falls below 24 volts for a continuous one second interval. The hardware and software responds to this condition by turning off the power source to pin 2 and flashing the pin 2 LED as a warning. After a five second “cool down” interval the output returns to the same condition as upon initial power up: power is again applied to pin 2, the pin 2 status LED will light, and monitoring won’t begin for another five seconds. A full short-circuit condition applied to the Model 46’s 2-wire connectors will result in a continuous cycle of 6 seconds on (5 seconds for start up and one second for detection) and 5 seconds off.

As a diagnostic aid the 2-wire power status LED associated with pin 3 remains active in the internal power mode. Whenever DC in excess of approximately 18 volts is present on pin 3 the LED will light. This condition will normally never exist but could prove useful in special circumstances.

Auto Null

Each of the Model 46’s dual-channel interfaces has circuitry to automatically null the two 2-wire-to-4-wire interfaces. Normally this process is performed at the time of initial Model 46 configuration but there’s no reason why “auto nulling” can’t be initiated anytime one desires. The only time that auto null must be performed is if conditions have changed vis-à-vis the intercom user devices and wiring connected to a Model 46 2-wire PL interface connector. Even a slight change to an intercom circuit, such as adding or removing a section of cable, is sufficient to require that the auto null process be performed.

Two buttons, one associated with each interface, are provided to activate the auto null process. Refer to Figure 8 for a detailed view. To initiate auto null simply requires pressing and releasing (“tapping”) a button. The process begins by nulling channel one of an interface and, when completed, moves on to channel two. Two LEDs provide a visual indication of the auto null process, flashing when the auto null process for its respective channel is active.

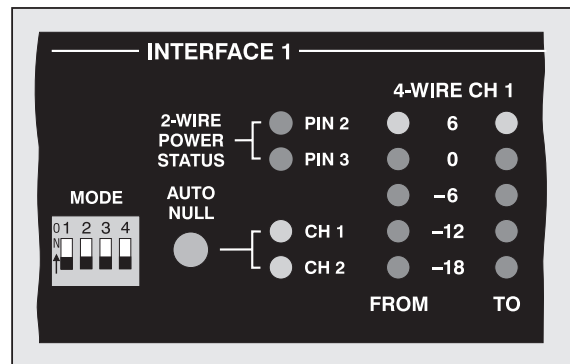


Figure 8. Detail of front panel showing auto null section

An actual auto null sequence starts by muting the 4-wire input and output signal paths associated with the specific channel to be nulled. Then a short period of 24 kHz signal is sent out the 2-wire PL intercom interface channel. This will turn off microphones on those connected user devices that are compatible with the RTS TW-series “mic kill” protocol. The actual auto nulling process will next be performed. A series of tones will be sent out the 2-wire interface. Other Model 46 circuitry, under software control, will rapidly perform adjustments to achieve the best null possible. After the adjustments are made the results are stored in non-volatile memory. Once the process has completed the 4-wire input and output paths are again activated.

Advanced configuration DIP switch 2, located on the back panel, allows an independent auto null button mode to be selected. If switch 2 is in its on (up) position, the front-panel pushbuttons will function in quite a different manner. In the independent mode, a single “tap” to a switch will cause channel 1 to auto null. Two “taps” will cause channel 2 to auto null. By observing the operation of the two auto null status LEDs it will become readily apparent which of the button modes has been selected.

If possible, prior to performing an auto null it’s polite to warn all personnel who are actively using the connected intercom devices. The tones sent to the 2-wire intercom circuit during the nulling process are not excessively loud or obnoxious, but most users might want to remove their headsets during the process. In addition to warning users, it might be a good time to ask them to mute any active microphones. While the automatic “mic kill” signal will apply to many user devices it may not apply to all. Muting microphones is significant as obtaining a “deep” null requires that no extraneous signals be present on the intercom circuit.

Advanced Operation

The Model 46 allows several of the operating parameters to be configured to meet the needs of specific applications. The following paragraphs provide details about the auto terminate disable and factory test modes.

Auto Terminate Disable

As previously discussed in this user guide, the auto terminate function can come into play when a 2-wire interface is configured for external power. Using a combination of hardware and software, pins 2 and 3 of each 2-wire PL intercom connector are monitored for the presence of DC voltage. If a level of greater than approximately 18 volts DC is not detected on either pin, 200 ohm terminating networks are applied to those same pins. This ensures that the Model 46’s hybrid circuitry remains stable, preventing objectionable audio signals from being sent to the 4-wire output connectors. One caveat does apply; there may be a few seconds of severe noise whenever an interface moves from a DC present condition to a DC not present condition. But other than that period, the audio paths will remain “clean.”

As a visual aid, LEDs on the front panel will display the DC power status of pins 2 and 3. But when auto terminate disable mode is active the LEDs will no longer indicate the intercom circuit’s termination status.

For special externally powered 2-wire applications the auto terminate function can be disabled. This primarily will come into play when “splitting” the Model 46’s resources into four separate single-channel interfaces. Moving advanced configuration DIP switch 1, located on the Model 46’s back panel, to its on (up) position disables the auto terminate function. To someone observing only the Model 46’s front panel this change would not be readily apparent. The front-panel LEDs will continue to display the DC power status of pins 2 and 3. But whether or not either or both LEDs are lit, the Model 46 will never apply 200

ohm terminations to pins 2 or 3. For the hybrid circuits to remain stable termination impedances must be provided by the connected circuits. If these are not present one should expect the hybrid circuits to generate a very impolite noise. This condition, caused by the 2-wire output circuitry being in an “unloaded” state, will not damage the Model 46’s circuitry. But errors in cable “patching,” a disconnected cable, or other real-world issues, can lead users listening to signals that originate in the Model 46’s 4-wire outputs from being presented with a rude surprise!

In conclusion, it’s important that technical personnel working with the Model 46 be informed when the auto termination function has been disabled. They will then be aware of the potential noise issues and be ready to make corrections should a problem arise.

Factory Test Mode

Back-panel DIP switch 4 allows a factory test mode to be enabled. During normal operation switch 4 should remain in its off (down) position. When switch 4 is in its on (up) position factory mode is active. Enabling this mode will result in the following operating condition: during an auto null sequence the associated 4-wire output channel will remain active. This will allow the tones associated with the nulling process to be present on the 4-wire output. While not appropriate during actual Model 46 use, it is interesting to “hear” the nulling process take place. But unless directed by factory personnel switch 4 should remain in its off (down) position.

Technical Notes

Software Version Display

A special Model 46 power-up sequence allows the unit’s software version number to be displayed. This is useful when working with factory personnel on application support and troubleshooting situations. The four status LEDs associated with interface 1 are used to display the major release number with a range of 1 through 4. The four status LEDs associated with interface 2 are used to display the release sub-number which again ranges from 1 through 4. Refer to Figure 9 for a detailed view of the status LEDs and the corresponding software version numbering scheme. The Model 46’s initial software release is version 1.1 which is represented by the bottom LEDs of each status column being lit.

To display the Model 46’s software version is very simple. From the powered-down state, press and hold the auto null button associated with interface 1. Apply mains power while continuing to press the button. The normal power-up sequence will not occur but instead one LED will be lit in the column associated with interface 1 and one LED will be lit in the column associated with interface 2. As previously described, these two LEDs represent the unit’s current software version. While the software version number is being displayed the LED level meters will likely display random readings. This is not a problem and can simply be ignored. After the software version number has been “read” the auto null button can be released. At this time the unit will begin its normal power-up sequence.

Model 46 Interface

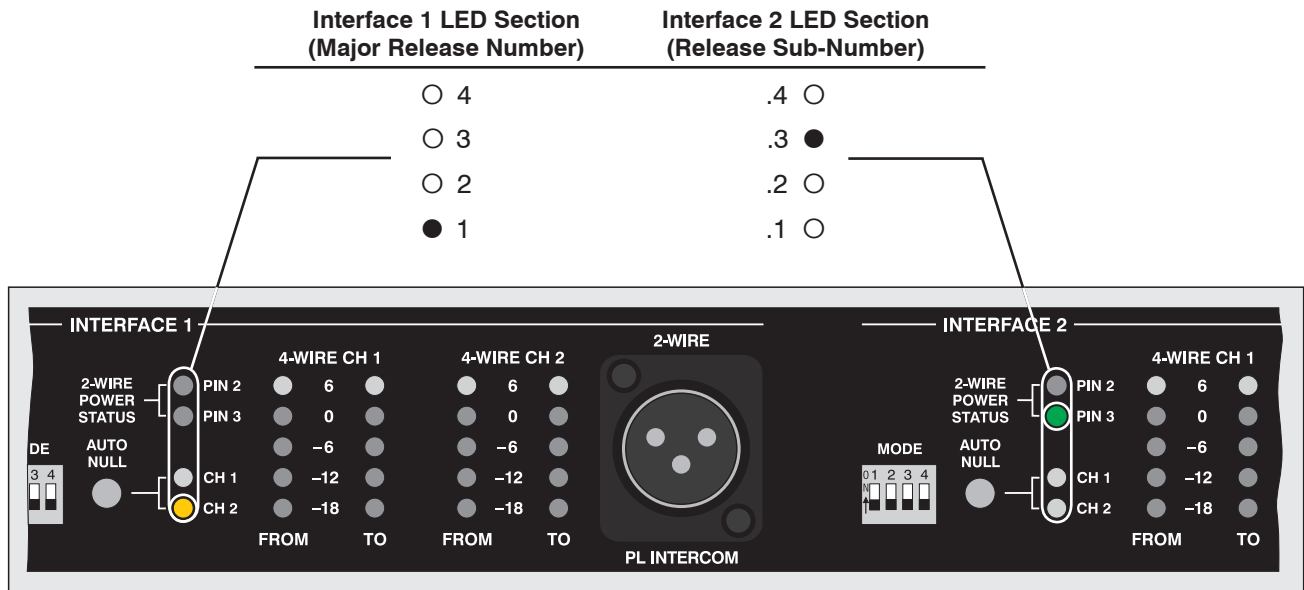


Figure 9. Detail of front panel showing the status LEDs that display the software version. In this example, the software version is 1.3.

Note that while it's easy to determine which software version is loaded into the Model 46 a trip back to the factory is required to update it. The 8-bit microcontroller that provides the unit's logic "horsepower" also includes internal FLASH memory. This non-volatile memory is used to store the operating software ("firmware"). Re-programming this memory requires using a specialized programming unit. While not outrageous in price, it still costs in the range of US\$500. The "programmer" uses a ribbon cable and socket to interface with a 6-pin "header" on the Model 46's printed circuit board. And, as you would guess, once connected, reprogramming takes only a matter of seconds. But unfortunately the programmer is not something that would be found in a typical "field shop" or repair facility.

Not a TW-12B Replacement!

The Model 46 will provide a high level of performance over its range of intended tasks. But it's not intended to act as a "universal" 2-wire-to-2-wire interface such as is provided by the venerable Clear-Com TW-12B. The Model 46's 2-wire interfaces are not isolated from each other; they share the Model 46's internal power supply's common connection. (The power supply common point is DC isolated from chassis and earth ground.) Specifically, pin 1 on the XLR connector associated with interface 1's 2-wire party-line interface is electrically connected to the pin 1 connection on interface 2. This is due to the fact that both 2-wire party line interfaces are capable of supplying DC power to connected devices. They also use the resources of a single set of logic circuitry. And as such they each

require access to the Model 46's common power supply circuitry. There's no doubt that a Model 46 could be used to create a 2-wire-to-2-wire party line "bridge" by cross-linking the 4-wire inputs and outputs using standard XLR-type audio cables. But it's likely that a significant "ground loop" would be created through pin 1 of each of the Model 46's 2-wire interfaces. While it's possible to use a set of special isolation transformers to eliminate the ground loop, that's best left to the brave of heart!

Model 72 Interface

And now for a shameless "product plug." Studio Technologies, Inc. manufactures a nifty product called the Model 72 Level Meter/Interface. A compact, standalone unit, it can prove very useful when setting up, maintaining, and troubleshooting intercom circuits. It will give a direct indication of signal levels at any point in a single- or dual-channel intercom circuit. Check it out!

Specifications

General Audio:

Frequency Response: ± 2 dB 100 Hz to 8 kHz

Distortion (THD+N): <0.5%, measured at 1 kHz,
4-wire input to 2-wire interface pin 2

Signal-to-Noise Ratio: >55 dB, measured at 1 kHz,
4-wire input to 2-wire interface pin 2

Connectors:

Inputs from 4-Wire: 3-pin female XLR-type

Outputs to 4-Wire: 3-pin male XLR-type

2-Wire Party-Line Intercom: 3-pin male XLR-type

Remote Control: 10-pin header, requires optional
10-pin ribbon connector assembly

AC Mains: 3-blade, IEC 320 C14-type (mates with
IEC 320 C13)

2-Wire Party-Line Intercom Interfaces: 2

Type: 2-channel party-line (PL), unbalanced
(pin 1 common; pin 2 DC with channel 1 audio;
pin 3 channel 2 audio)

Compatibility: single- and dual-channel intercom
systems such as from Telex®/RTS® and
Clear-Com®

Impedance, External Power Mode: >10 k ohms

Impedance, Internal Power Mode: 200 ohms

Nominal Level: -10 or -14 dBu, selectable

“Mic Kill” Signal: square wave, 24 kHz, $\pm 1\%$

Internal Power Source: 30 volts DC nominal, 300
milliamperes maximum

Hybrids: 4, 2 per interface

Topology: 3-section analog circuitry compensates
for resistive, inductive, and capacitive 2-wire party-
line loads

Nulling Method: automatic upon user initiation,
processor implements digital control of analog cir-
cuitry; null settings stored in non-volatile memory

Nulling Line Impedance Range: 120-350 ohms

Nulling Cable Length Range: 0-3500 feet, typical

Trans-Hybrid Loss: >40 dB, typical at 800 Hz

4-Wire Inputs: 4, 2 per interface

Type: transformer-coupled, capacitor isolated

Impedance: 13 k ohms

Nominal Level: 0, +4, +6, or +8 dBu, selectable
in tandem with nominal output level

Maximum Level: +22 dBu

4-Wire Outputs: 4, 2 per interface

Type: transformer-coupled, capacitor isolated

Impedance: 50 ohms nominal

Nominal Level: 0, +4, +6, or +8 dBu, selectable
in tandem with nominal input level

Maximum Level: +20 dBu into 2 k ohms

Meters: 8

Function: displays level of 4-wire inputs and
outputs

Type: 5-segment LED, modified VU ballistics

Remote Control Inputs: 3

Type: optically coupled

Input: 3-32 volts DC; 2 milliamperes minimum for
operation, 20 milliamperes maximum

Functions: auto null interface 1, auto null interface
2, and “mic kill”

AC Mains Requirement: 100-240 volts
(-15/10%), 50/60 Hz, 0.7 A maximum @ 100 volts,
0.4 amperes maximum @ 240 volts

Dimensions (Overall):

19.0 inches wide (48.3 cm)

1.72 inches high (8.9 cm)

8.5 inches deep (21.6 cm)

Mounting: one space in a standard 19-inch rack

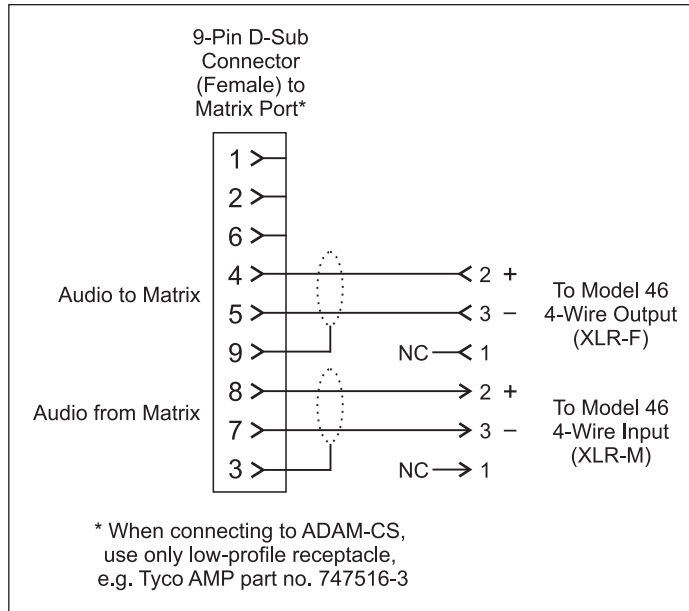
Weight: 7.75 pounds (3.5 kg)

Specifications and information contained in this
User Guide subject to change without notice.

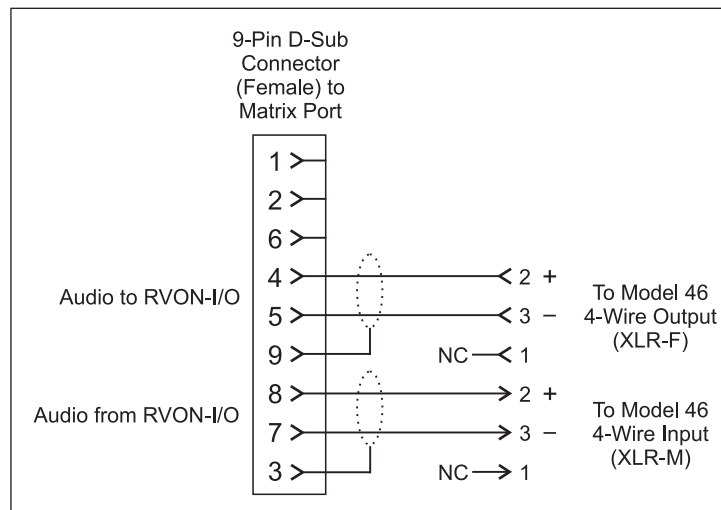
Appendix A

Interfacing Telex®/RTS® Matrix Intercom Systems with the Model 46 Interface

ADAM™ Matrix Intercom System Analog Ports to Model 46 Interface

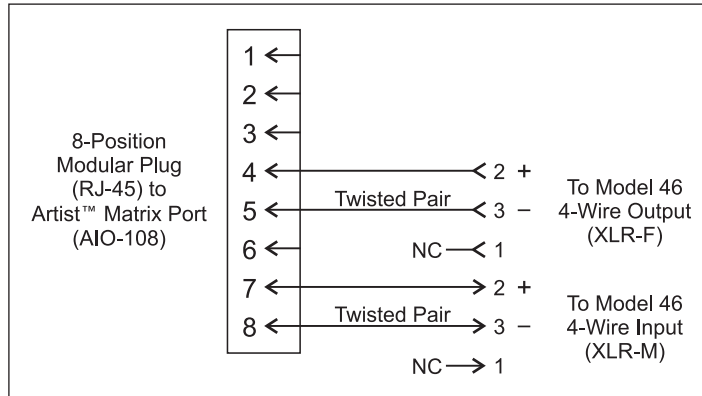


RVON-I/O I/O Connections to Model 46 Interface



Appendix B

Interfacing Riedel® Artist™ Matrix Intercom System Analog Ports with the Model 46 Interface



Back Panel Jack on Matrix Chassis

Jack Front View

T568B RJ-45 Wiring

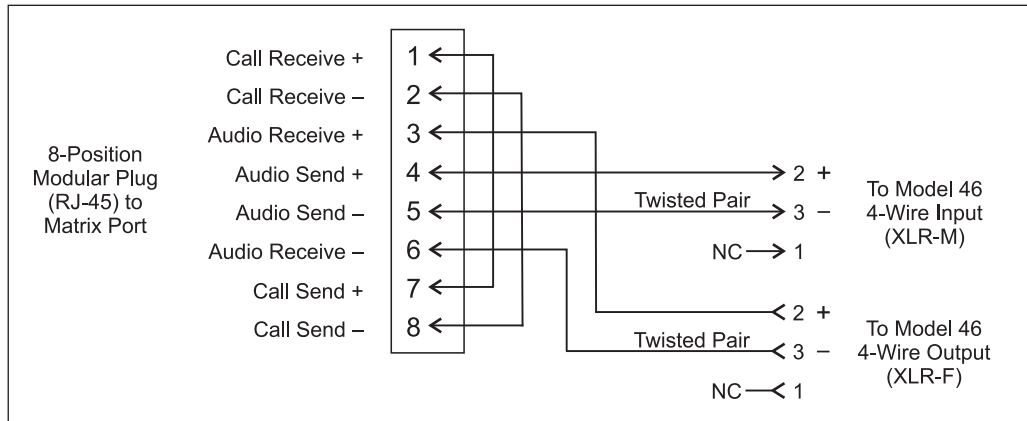
Pin 1	WHT/ORG
Pin 2	ORG/WHT
Pin 3	WHT/GRN
Pin 4	BLU/WHT
Pin 5	WHT/BLU
Pin 6	GRN/WHT
Pin 7	WHT/BRN
Pin 8	BRN/WHT

8-Position Modular Plug (also known as RJ-45)

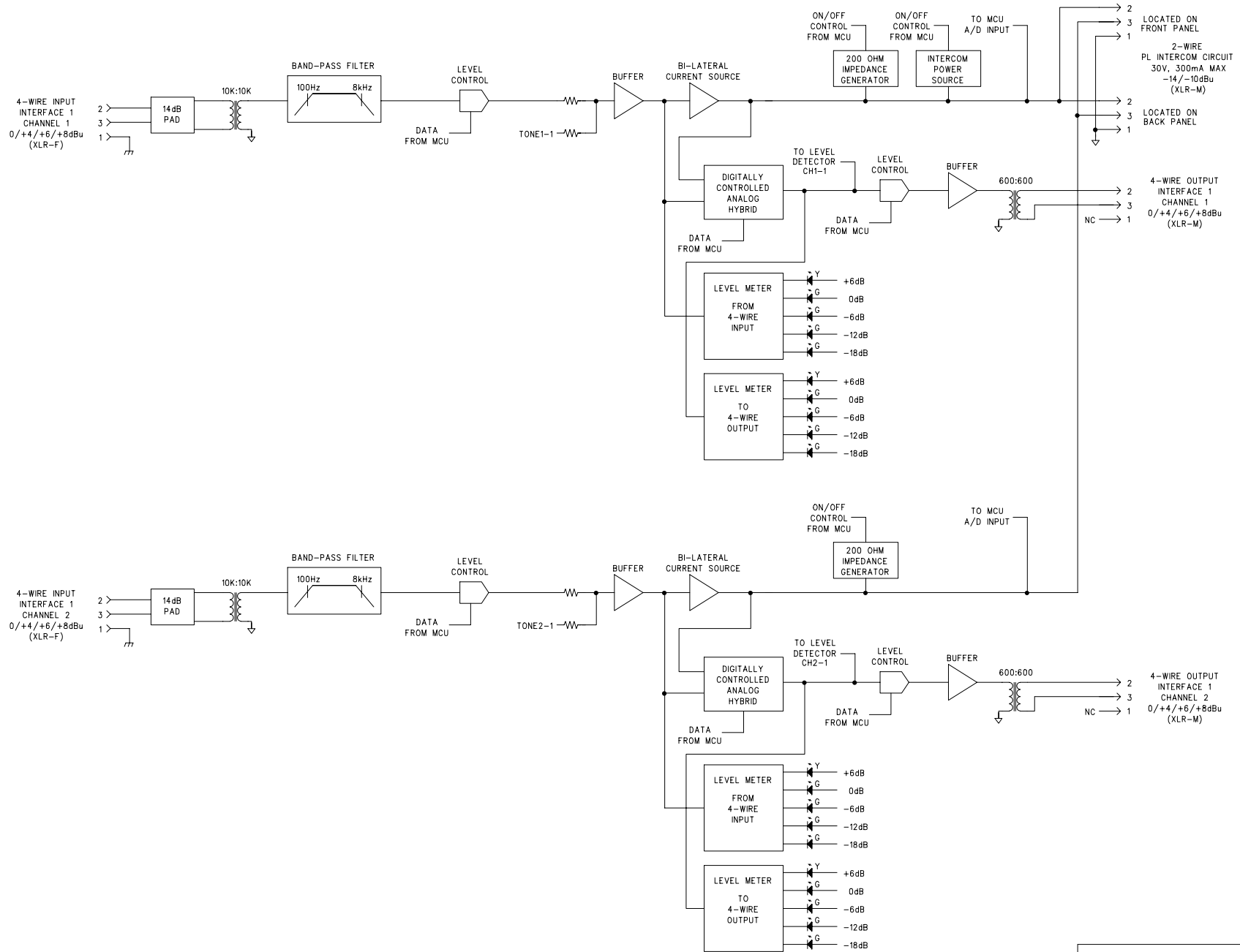
Plug Top View
(Release Tab on Bottom)

Appendix C

Interfacing Clear-Com® Matrix Intercom System Analog Ports with the Model 46 Interface

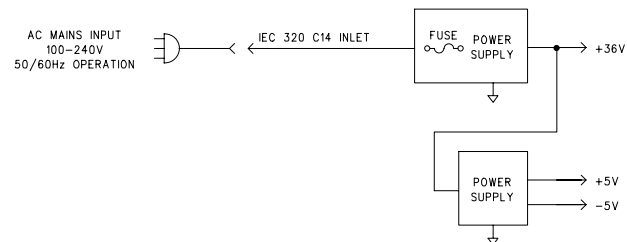
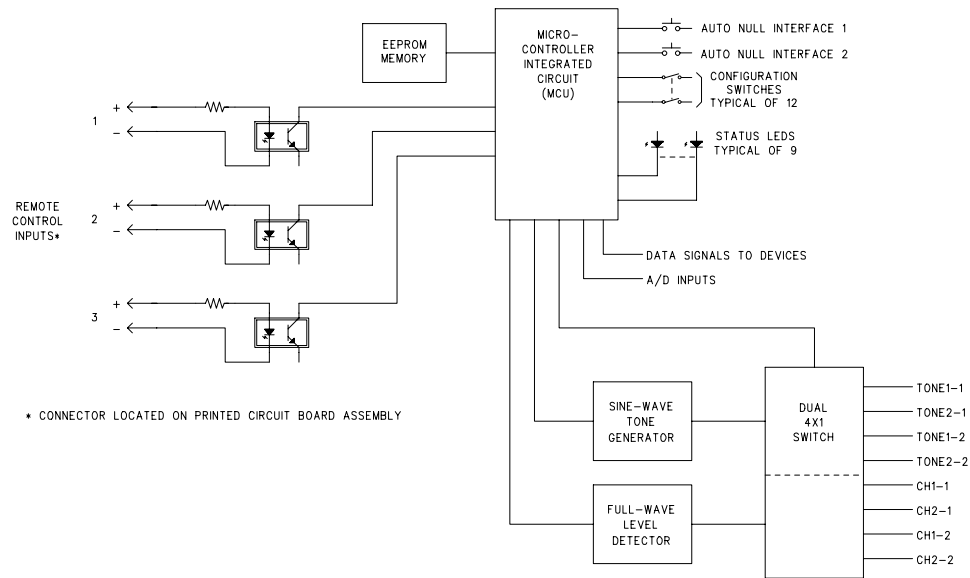


CIRCUITRY IDENTICAL FOR INTERFACES 1 & 2



M46BD_B

STUDIO TECHNOLOGIES, INC.		
MODEL 46 DUAL 2-WIRE ANALOG AUDIO TO 4-WIRE ANALOG AUDIO INTERFACE BLOCK DIAGRAM		
DRAWING NO.	DATE	PAGE
31235	01/10/07	01 OF 02



STUDIO TECHNOLOGIES, INC.

MODEL 46
 DUAL 2-WIRE ANALOG AUDIO TO
 4-WIRE ANALOG AUDIO INTERFACE
 BLOCK DIAGRAM