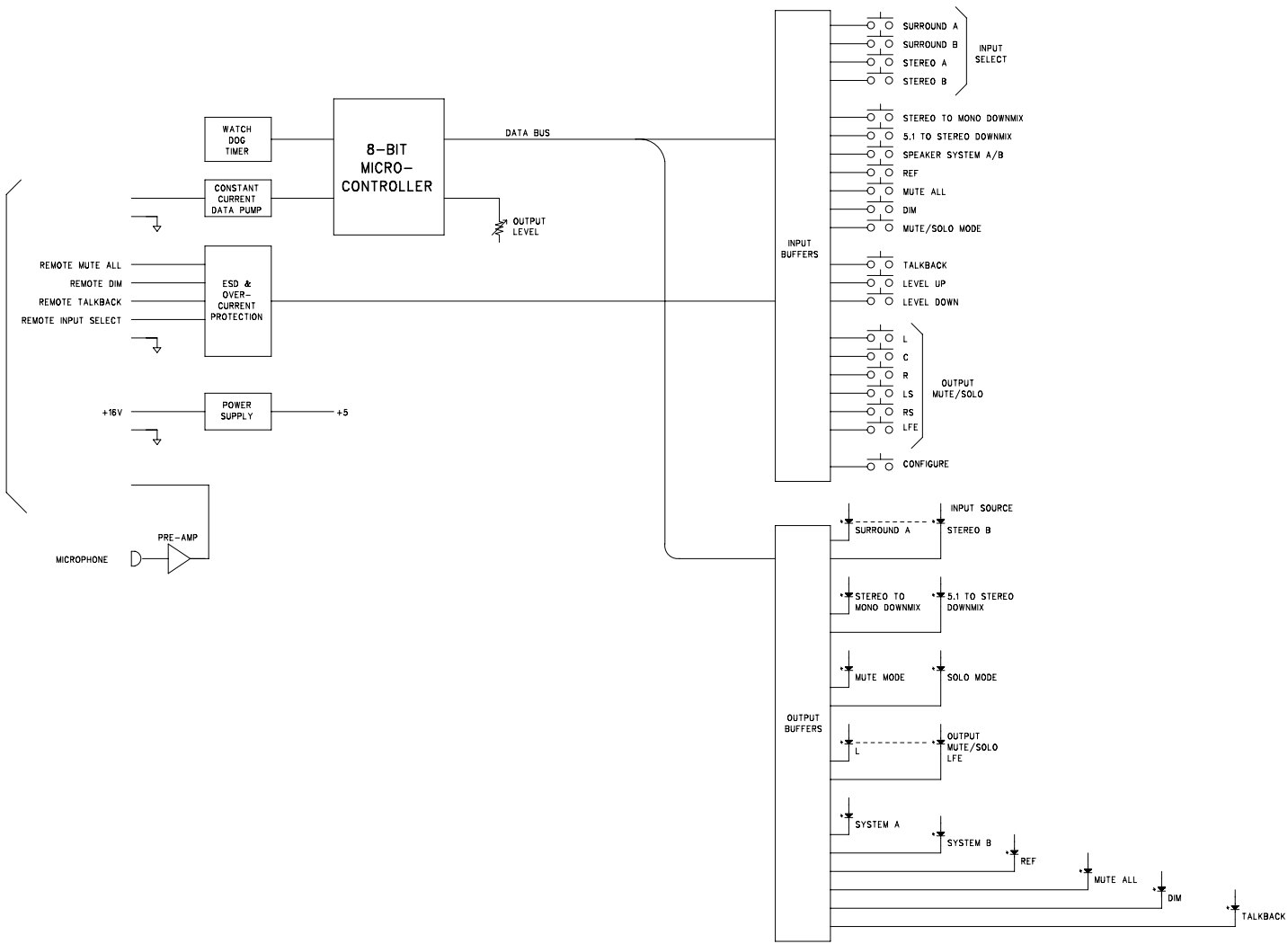


M74BD\_B

<b>STUDIO TECHNOLOGIES, INC.</b>		
<b>MODEL 74 CENTRAL CONTROLLER BLOCK DIAGRAM</b>		
DRAWING NO.	DATE	PAGE
31162	03/17/08	01 OF 01

TO/FROM  
MODEL 68A  
CENTRAL  
CONTROLLER  
(9-PIN D-SUB)



M75BD\_B

STUDIO TECHNOLOGIES, INC.		
MODEL 75 CONTROL CONSOLE BLOCK DIAGRAM		
DRAWING NO. 31168	DATE 01/10/06	PAGE 01 OF 01